

**FIERY XJ BP100**  
**PARTS CATALOG**

## **PARTS CATALOG**

### **INTRODUCTION**

This chapter instructs you the numbers and names of parts on this machine.

### **INDEX to PARTS CATALOG**

# **FIERY XJ BP100**

# **(A750)**

**FIERY XJ BP100 (A750)**

## **PARTS CATALOG**

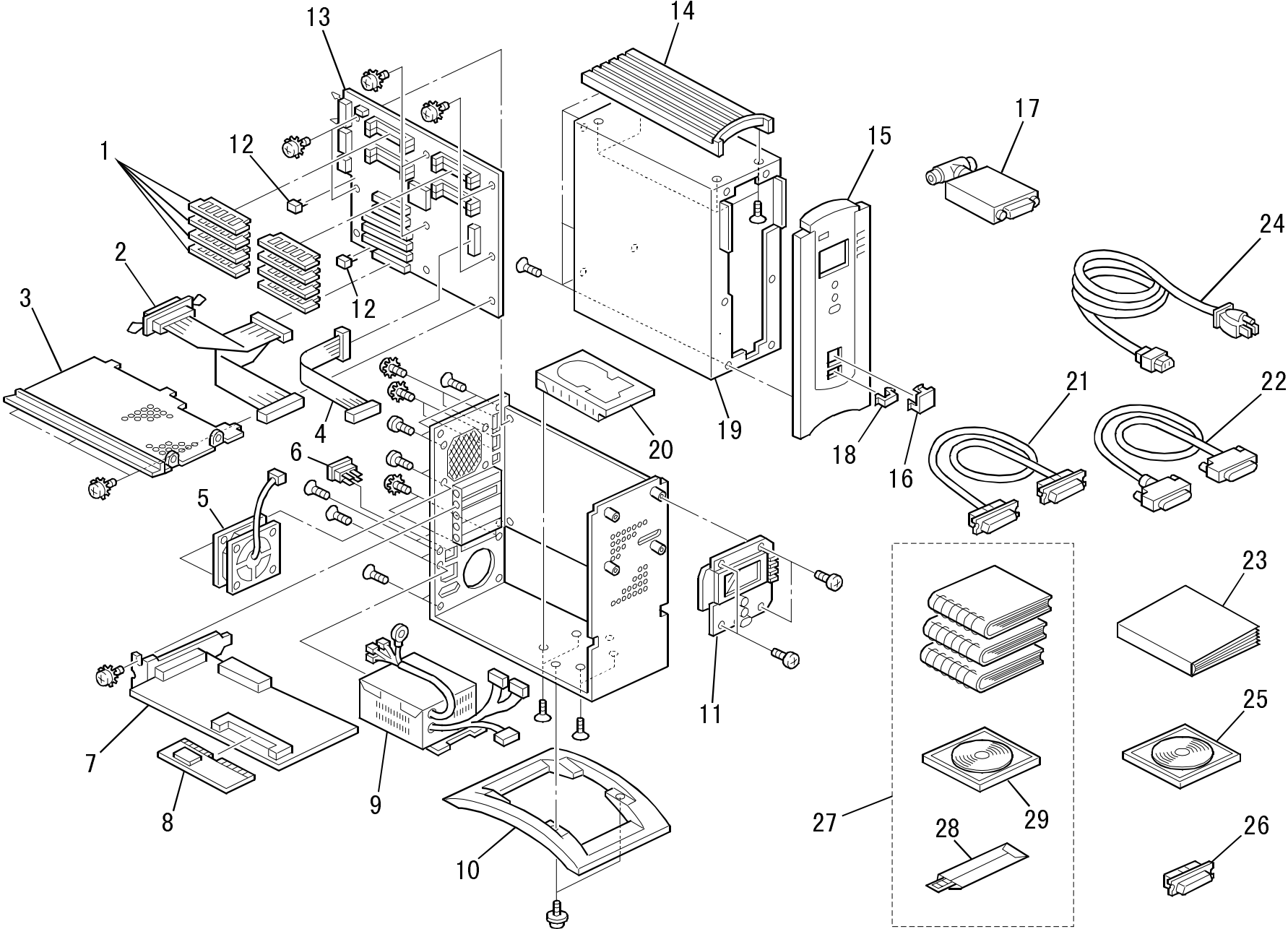
### **INTRODUCTION**

This chapter instructs you the numbers and names of parts on this machine.

### **INDEX to PARTS CATALOG**

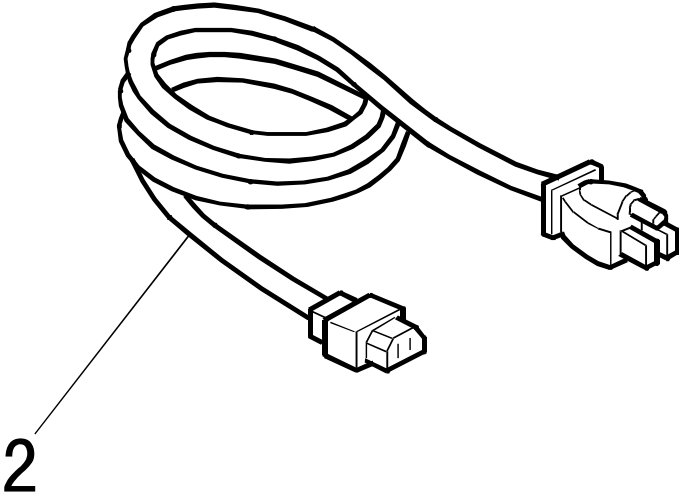
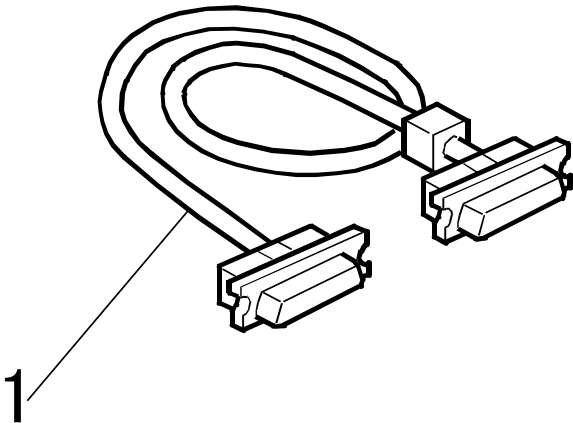
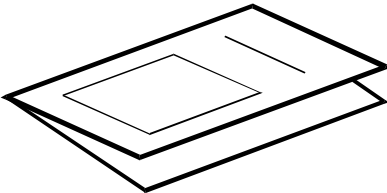
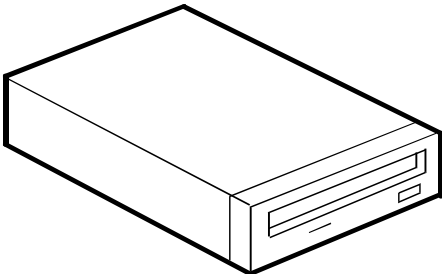
1.XJ BP100 (A750) .....	2
2.CD-ROM DRIVE KIT (A750-08) .....	4
3.100 BASE T KIT (A750-02) .....	6
4.TOKEN RING KIT (A750-03).....	8
PARTS INDEX.....	11

1.XJ BP100 (A750)





2.CD-ROM DRIVE KIT (A750-08)



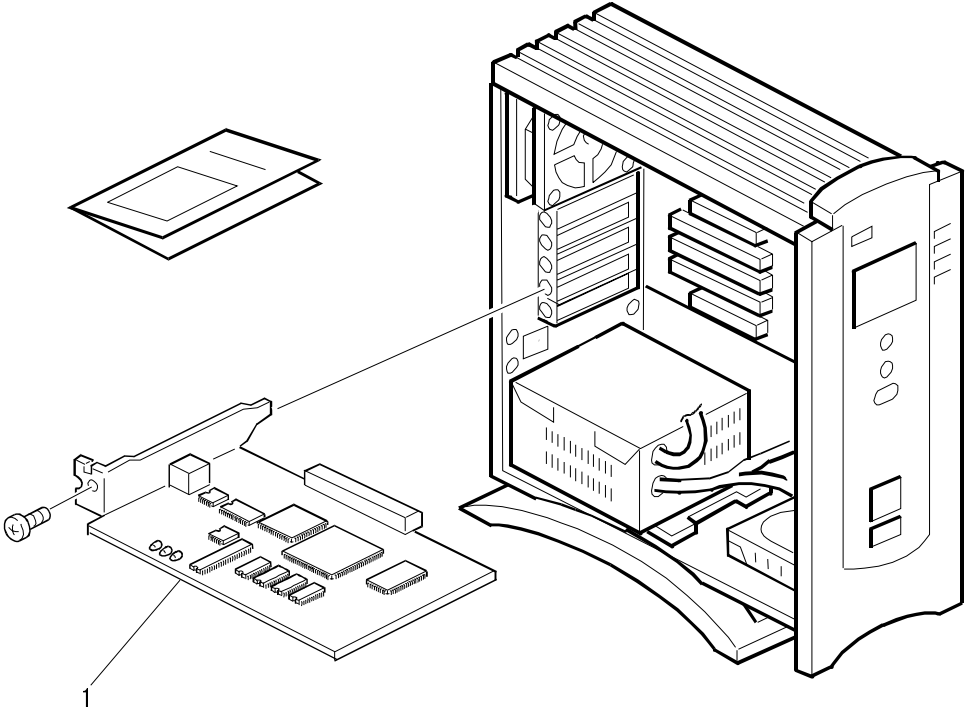
**2.CD-ROM DRIVE KIT (A750-08)**

Index No.	Part No.	Description	Q'ty Per Assembly
1	A583 6008	SCSI Cable	1
2	A583 6010	Power Supply Cord - INTL	1
2	A583 6009	Power Supply Cord - USA	1

Index No.	Part No.	Description	Q'ty Per Assembly



**3.100 BASE T KIT (A750-02)**

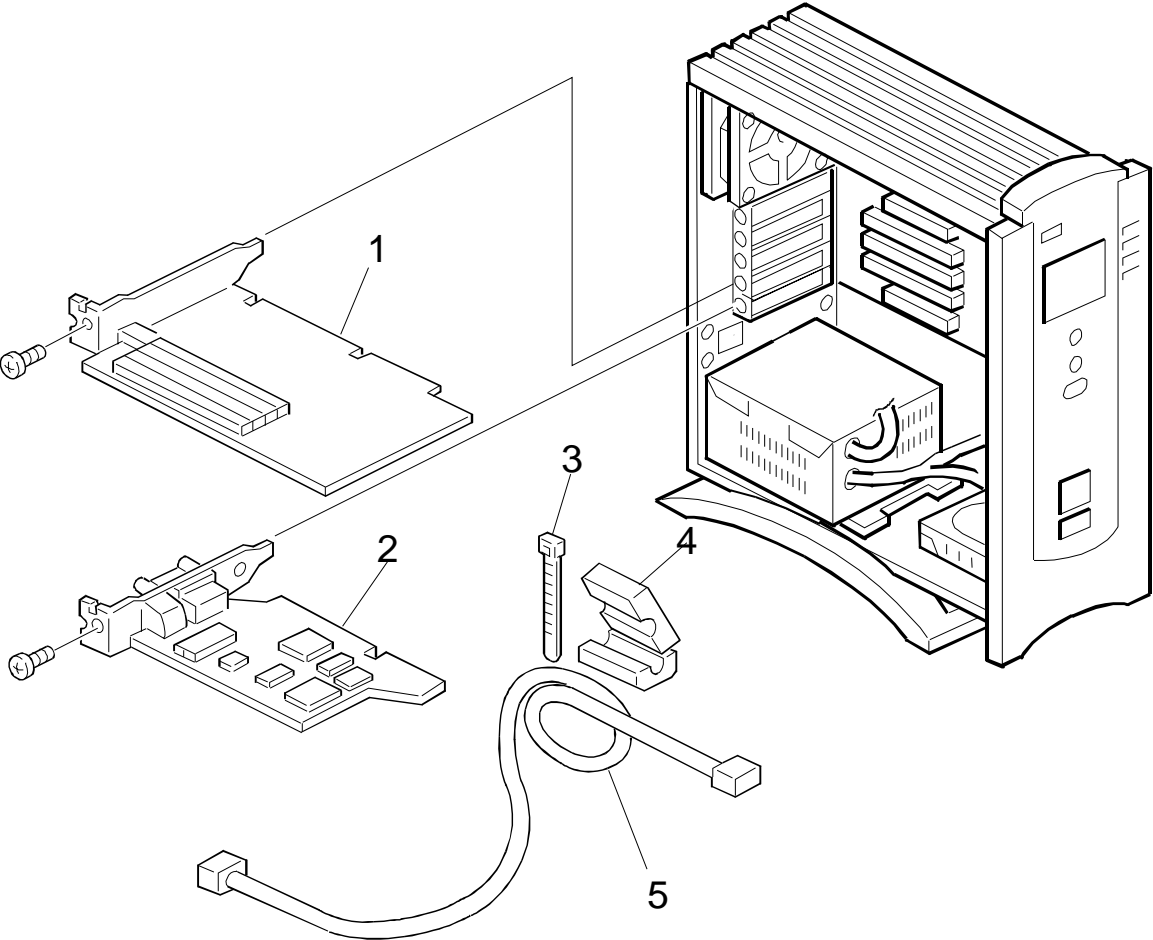


**3.100 BASE T KIT (A750-02)**

Index No.	Part No.	Description	Q'ty Per Assembly
1	A724 5335	100BASE T Card	1

Index No.	Part No.	Description	Q'ty Per Assembly

4.TOKEN RING KIT (A750-03)



#### 4.TOKEN RING KIT (A750-03)

Index No.	Part No.	Description	Q'ty Per Assembly
1	A724 5276	Token Ring Enabler Board	1
2	A724 5277	Token Ring Card	1
3	A724 5300	Cable Tie	2
4	A724 5299	Ferrite Suppression Core	1
5	A724 5279	Ethernet Cable	1

Index No.	Part No.	Description	Q'ty Per Assembly

# **PARTS INDEX**

Part No.	Description	Page and Index No.
A750 5000	BP100 Mother Board	3- 13
A750 5001	BP100 Jewel (20PCS/SET)	3- 18
A750 5002	BP100 Media Pack English	3- 27
A750 5003	BP100 User Software	3- 29
A750 5014	STARR Comp Board	3- 8
A750 9501	CD-ROM Systemsoft BP100	3- 25
A750 9850	XJ BP100 S/M	3- 23

Part No.	Description	Page and Index No.
A583 6008	SCSI Cable	5- 1
A583 6009	Power Supply Cord - USA	5- 2
A583 6009	Power Supply Cord - USA	3- 24
A583 6010	Power Supply Cord - INTL	5- 2
A583 6010	Power Supply Cord - INTL	3- 24
A724 5061	Power Switch	3- 6
A724 5062	XJ Chassis Cover	3- 19
A724 5064	XJ Stand	3- 10
A724 5067	Fiery Jewel	3- 16
A724 5069	User Interface Board	3- 11
A724 5071	8MB SIMM	3- 1
A724 5075	Power Supply Unit	3- 9
A724 5076	PAPST Multifan 4312m	3- 5
A724 5077	SCSI Internal Harness	3- 2
A724 5078	Video Interface Harness	3- 22
A724 5079	User I/F Board Harness	3- 4
A724 5094	2.1GB SCSI HDD	3- 20
A724 5112	AUI/BNC Transceiver	3- 17
A724 5143	Mother Board Fuse	3- 12
A724 5157	SCSI Terminator	3- 26
A724 5173	Top/Base Cover	3- 14
A724 5174	Front Bezel	3- 15
A724 5184	XJ - R/R2 Video Board	3- 7
A724 5276	Token Ring Enabler Board	9- 1
A724 5277	Token Ring Card	9- 2
A724 5279	Ethernet Cable	9- 5
A724 5282	Grayscale Strip	3- 28
A724 5295	Isolation Plate	3- 3
A724 5299	Ferrite Suppression Core	9- 4
A724 5300	Cable Tie	9- 3
A724 5304	36pin Centronics Cable	3- 21
A724 5335	100BASE T Card	7- 1